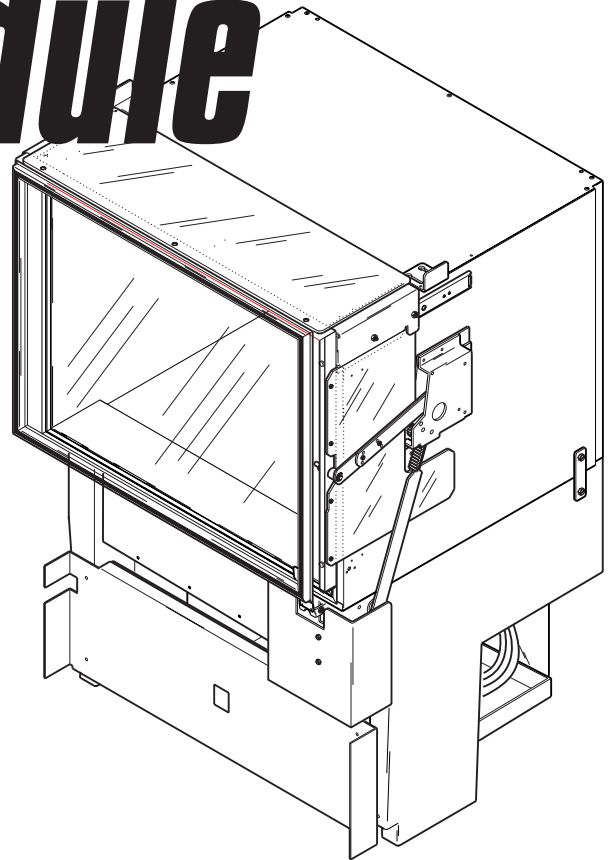
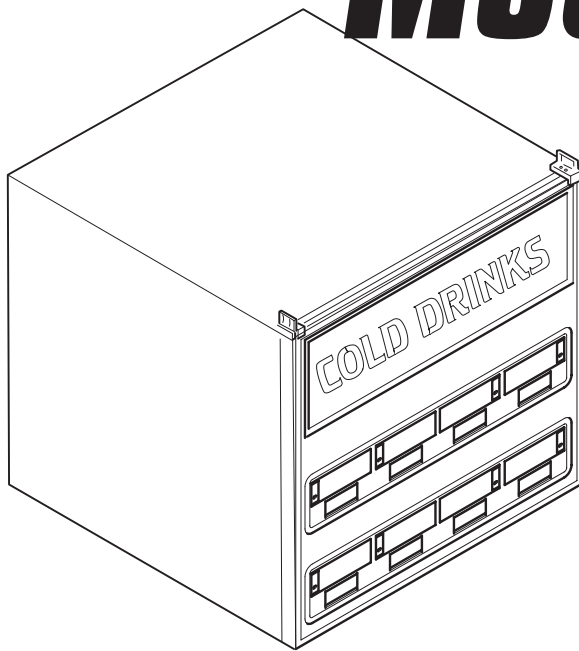


4840053

Model 784, 785, 786, 787, 788, 789, 797, 798

# *Can, Cold Food, & Frozen Food Module*



## Set-Up & Operators' Guide

**CRANE** MERCHANDISING SYSTEMS A Crane Co. Company  
**NATIONAL VENDORS**

12955 Enterprise Way  
Bridgeton, Missouri 63044-1200  
(314) 298-3500  
[www.nationalvendors.com](http://www.nationalvendors.com)

Copyright© 2-00

4840053

# What is this booklet for?

Since your merchandiser came equipped with a can or food module, the Snack Center *Setup and Operator's Guide* has instructed you to get this booklet to continue your setup. Follow the steps for setting up your can or food module, then return to the spot in the *Setup and Operator's Guide* that sent you here. You may notice some other books in your plastic bag, too. The *Programming Guide* is a reference for you to use later on, after your machine is up and running. Use the *Programming Guide* to use some of the advanced features included with your machine.

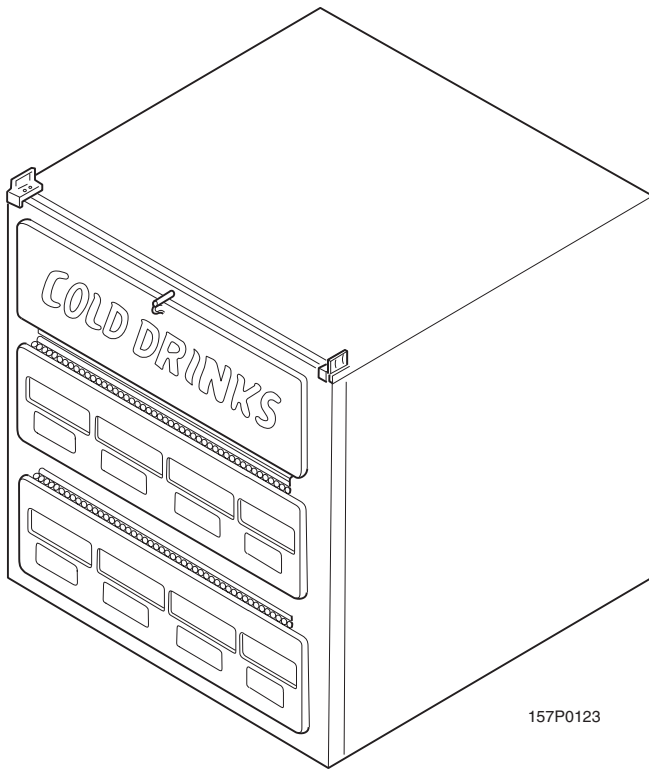
**DON'T THROW THIS BOOKLET AWAY!!** Even though you finished with it today, you may need to set your merchandiser up again. In that case, you'll wish you still had this! Put it back in the plastic bag and store it inside the cabinet. That way, it is readily available at a future time.

This machine has been engineered to our own rigid safety and performance standards. It has been designed to comply with sanitation and health guidelines recommended by the Automatic Merchandising Health-Industry Council (AMHIC) and it conforms with all other NAMA safety recommendations.

This machine has been manufactured in accordance with the safety standards of both Underwriter's Laboratories and the Canadian Standards Association. To maintain this degree of safety and to continue to achieve the level of performance built into this machine, it is important that installation and maintenance be performed so as to not alter the original construction or wiring and that replacement parts are as specified in the *Parts Manual*. Your investment in this equipment will be protected by using this *Setup and Operator's Guide* and the *Parts Manual* in your operation, service and maintenance work. By following prescribed procedures, machine performance and safety will be preserved.

# Table of Contents

Cold Can Unit.....	1
1. Install Price Labels for Cold Can Selections.....	1
2. Adjust the Price Rolls for Cold Can Selections.....	2
3. Install Product ID Labels for Cold Can Selections .....	2
4. Install Selection ID Labels .....	3
5. Load the Cold Can Module .....	4
6. Removing the Can Compartment Door Assembly.....	5
Food Module .....	7
1. Install Price Labels for Food Module Selections .....	7
2. Install Selection ID Labels for Food Module Items .....	8
3. Adjust the Price Labels for Food Module Selections.....	9
4. Load the Refrigerated or Frozen Food Module.....	10
Basic Programming .....	12
1. Set Prices .....	12
2. View the Chiller or Can Unit Temperature .....	12



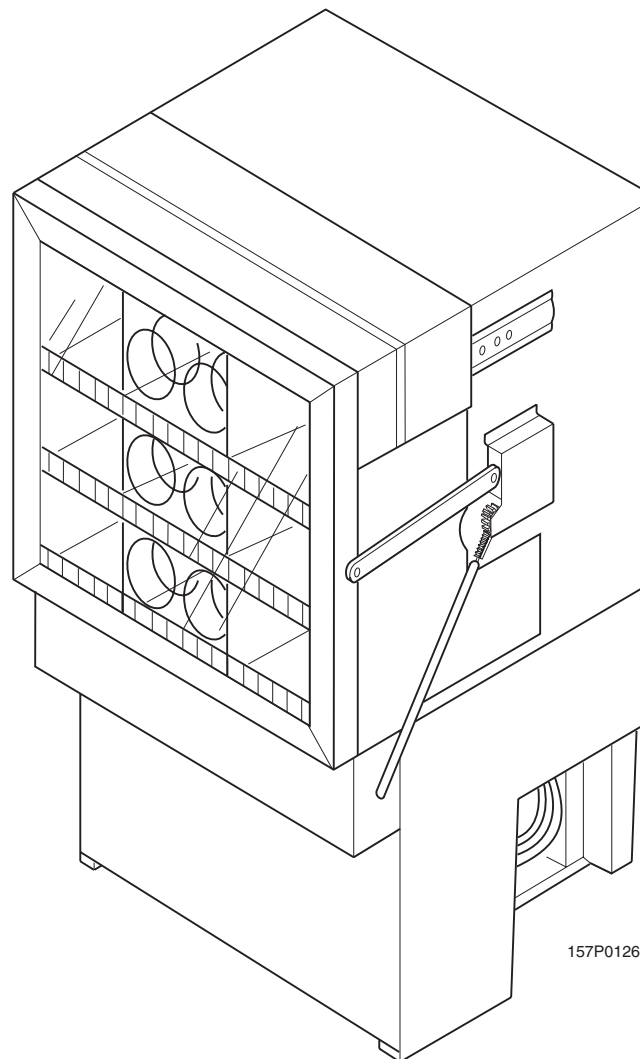
157P0123

## **CAN MODULE**

If you have a can module, follow the setup instructions starting on page 1.

## **FOOD MODULE (Frozen or Refrigerated)**

If you have a food module, follow the setup instructions starting on page 7.

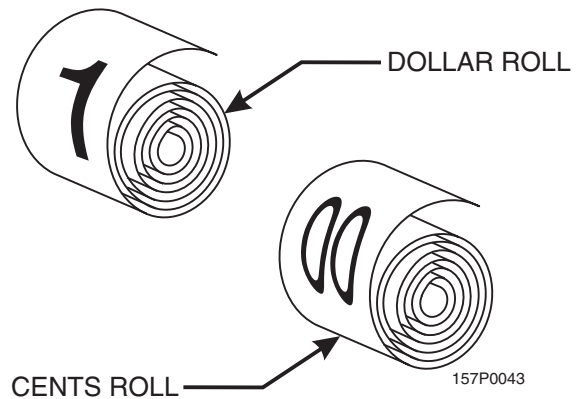


157P0126

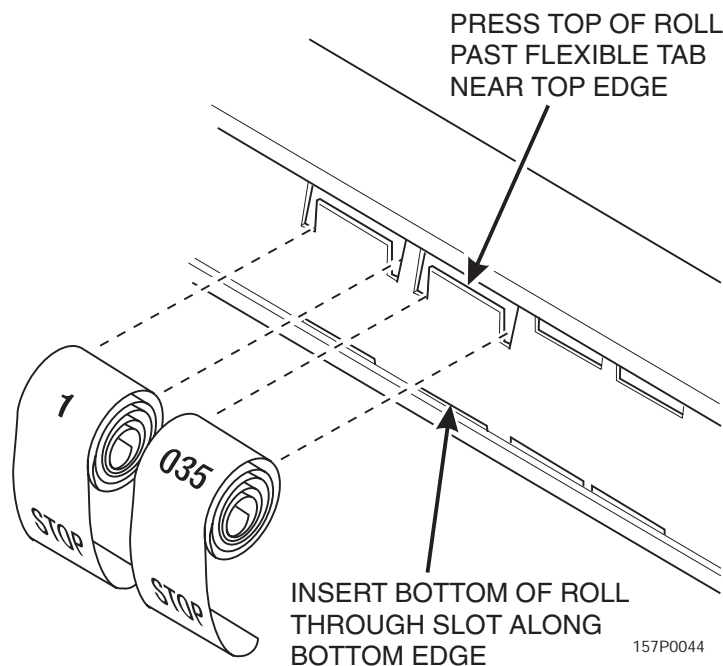
# Cold Can Unit

## 1. Install Price Labels for Cold Can Selections

- Price rolls are printed on coiled-up strips as shown in this example. (The dollar and cents rolls are factory installed.) If you use another type of currency, you will find the appropriate price rolls in the plastic bag that contained this manual.
- There are two types of price rolls installed:  
Dollar roll - 1 to 12, increments of 1  
Cents roll - 00 to 95, increments of 05
- Remove the price rolls as required, and install the appropriate one(s) for your currency.



- There are three pairs of slots in the front of the can unit for each position. Install per this example:
  1. Insert the dollar roll in the left-most pair of slots as shown if the price is \$1.00 or more.
  2. Insert the cents roll in the center pair of slots as shown.
  3. The low-number end of the roll goes in the top slot and the high-number end of the roll goes in the bottom slot.



## 2. Adjust the Price Rolls for Cold Can Selections

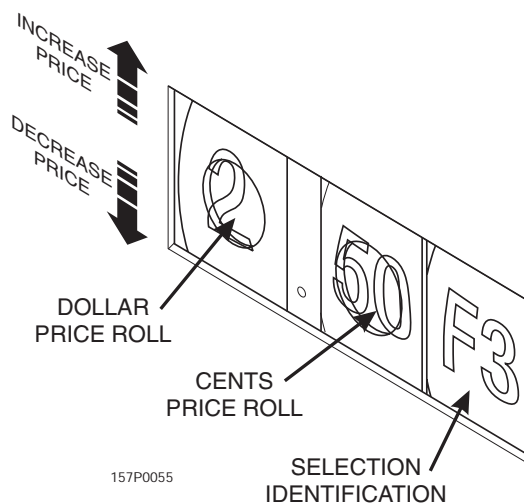
There are two price label rolls for each selection.

- The roll on the left is for dollars, and it goes from \$0 to \$12.
- The roll on the right is for cents, and it goes from .00 to .95 in steps of .05.

1. Scroll downward to decrease the price.
2. Scroll upward to increase the price.

### WARNING

The rolls are easier to scroll if you use the eraser end of a pencil.



## 3. Install Product ID Labels for Cold Can Selections

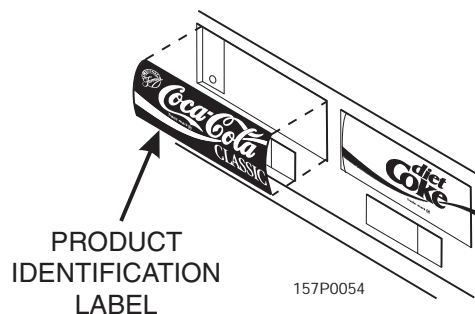
Product ID labels (flavor strips) are in the plastic bag that contained this book. They are held in place above the price labels for each selection. To install a new ID label, proceed as follows:

1. Flex the label as shown and place it into position.
2. Release the label, and allow the label frame to hold it in place.
3. Pop the label out of place with a pencil or your fingernail.

If you need a specific product ID label that was not included in the plastic bag containing this manual, contact:

SCREEN ART  
1801 Mid Park Drive  
Knoxville, TN 37921  
Phone: 1-800-251-9031  
In Tennessee: 1-800-332-9924

Refer to style SA13 (1.75 x 4.62)

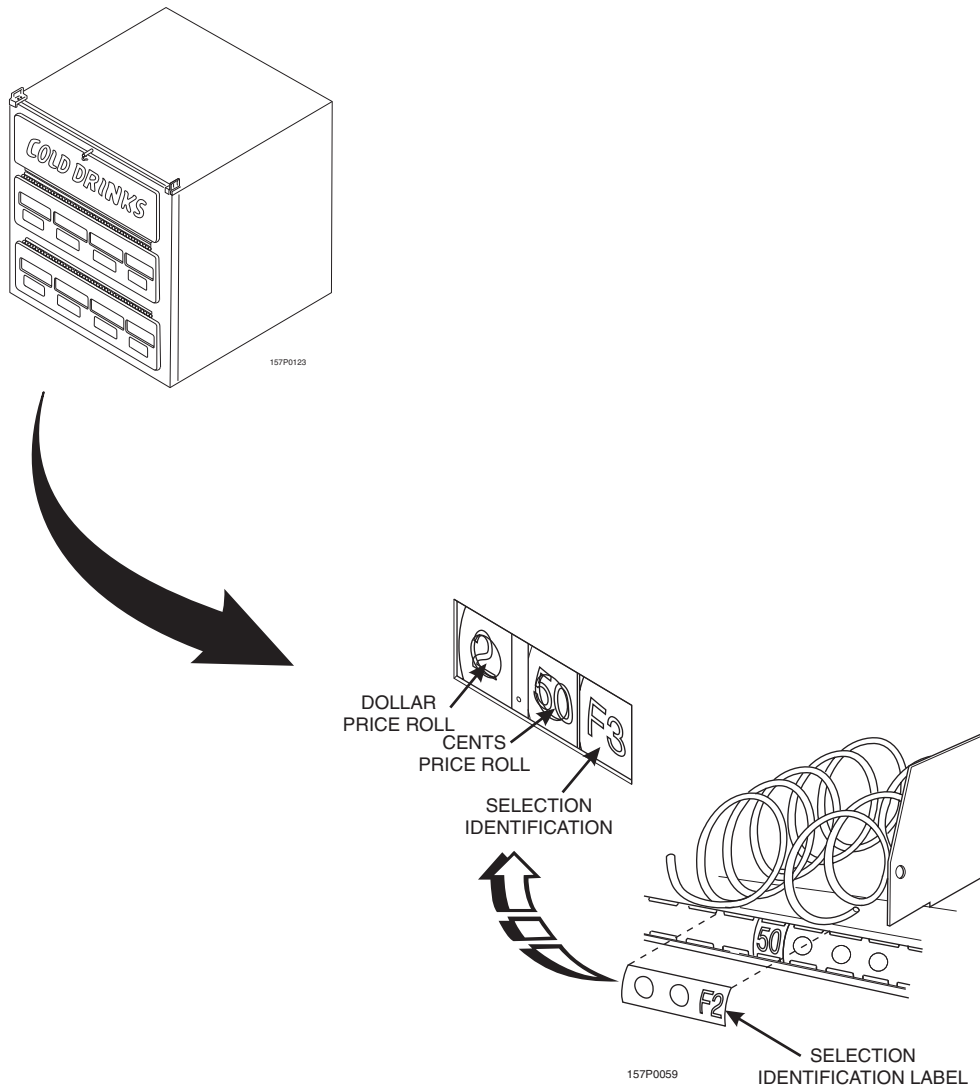


## 4. Install Selection ID Labels

Selection ID numbers are printed on clear plastic sheets. You will find these in the plastic bag that contained this manual. You will need to separate them along the scored lines between the selections. **BE CAREFUL** when doing this, because it is easy to split the labels. Use the "E" and "F" selections for the can module.

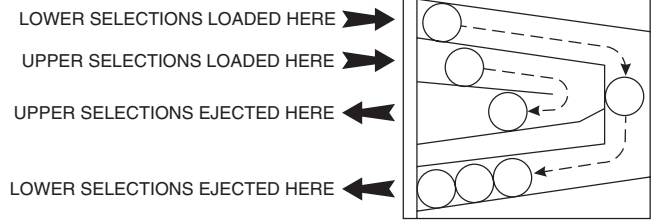
### **Installing Selection ID Numbers:**

1. Make sure the price rolls have been installed.
2. Press together the two long edges of the selection ID label.
3. Snap the selection ID label into position on the front of the tray as shown. See the bottom figure on the next page for the position of each of the selections.

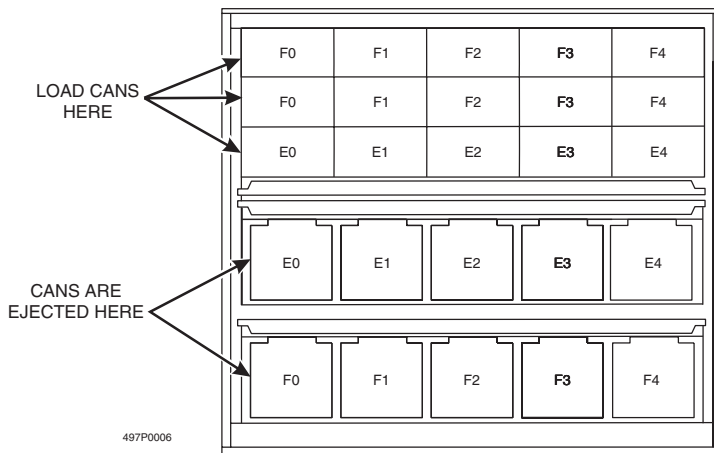
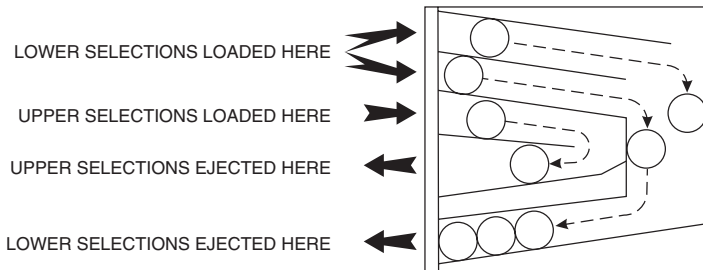
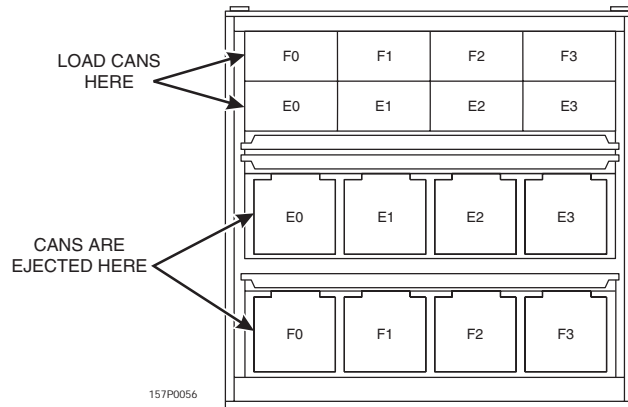


## 5. Load the Cold Can Module

1. Lower the loading door into the loading position.
2. Load each of the selections as shown.
3. After all selections are loaded, raise the door and secure it in place.



### 8 - SELECT CAN



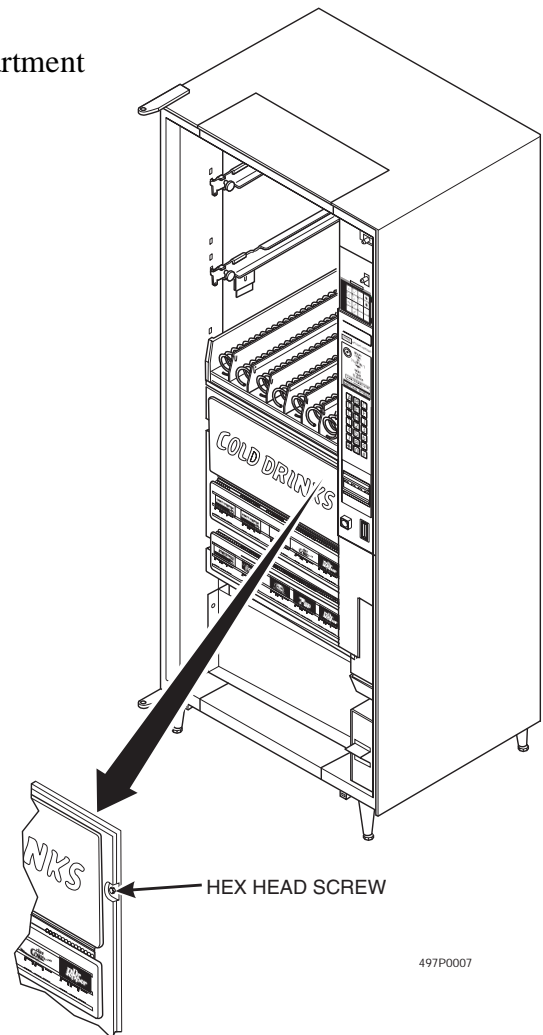
### 10 - SELECT CAN



## **6. Removing the Can Compartment Door Assembly**

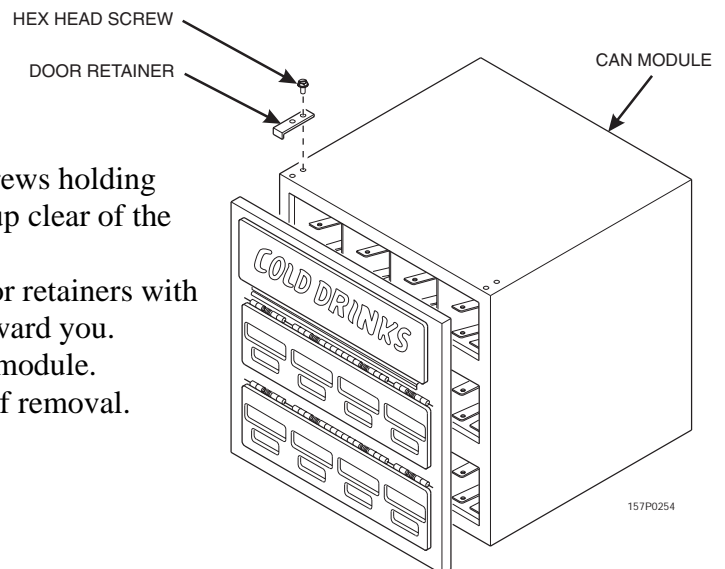
### **10 - SELECT CAN MODULE:**

1. Remove four hex head screws holding the can compartment door assembly to the can compartment.
2. Remove the can compartment door assembly.
3. Replace the door in the opposite order of removal.



### **8 - SELECT CAN MODULE:**

1. Sufficiently loosen the two hex head screws holding each door retainer to allow them to lift up clear of the door assembly front.
2. While lifting up on the front of both door retainers with your thumbs, pull the door assembly toward you.
3. Lift the door assembly up from the can module.
4. Replace the door in the opposite order of removal.



## **NOW WHAT?**

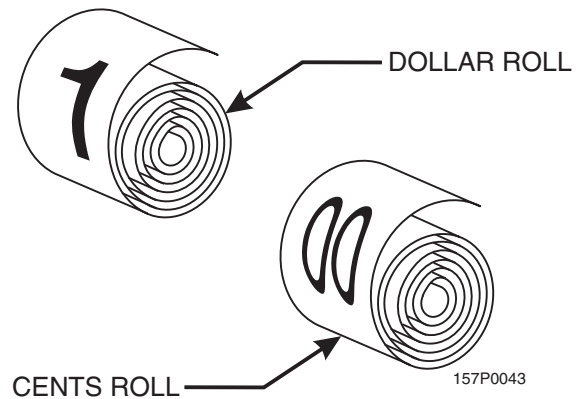
There are still some things you need to do to complete setting up your merchandiser. Return to the same location in the Snack Center Setup Guide that sent you to this booklet.

**Instructions for setting up your  
food module start on the next  
page...**

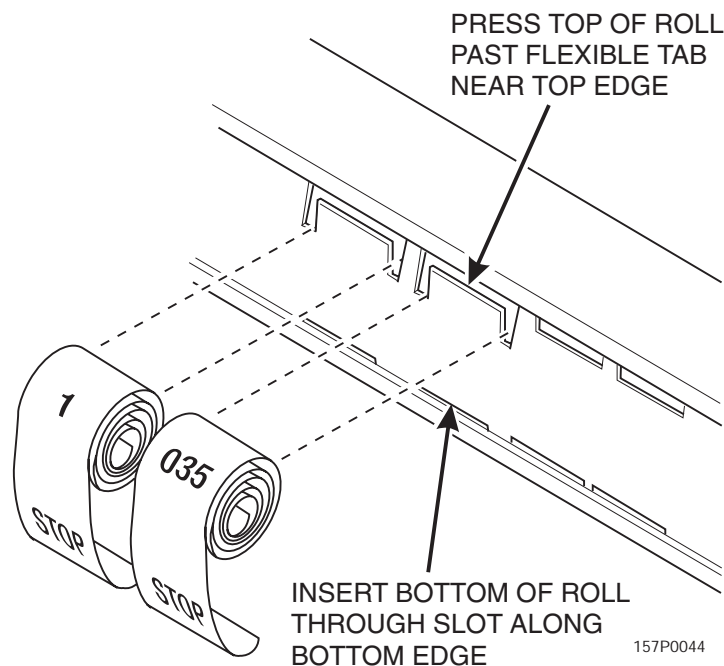
# Food Module

## 1. Install Price Labels for Food Module Selections

- Price rolls are printed on coiled-up strips as shown in this example. (The dollar and cents rolls are factory installed.) If you use another type of currency, you will find the appropriate price rolls in the plastic bag that contained this manual.
- There are two types of price rolls installed:  
Dollar roll - 1 to 12, increments of 1  
Cents roll - 00 to 95, increments of 05
- Remove the price rolls as required, and install the appropriate one(s) for your currency.



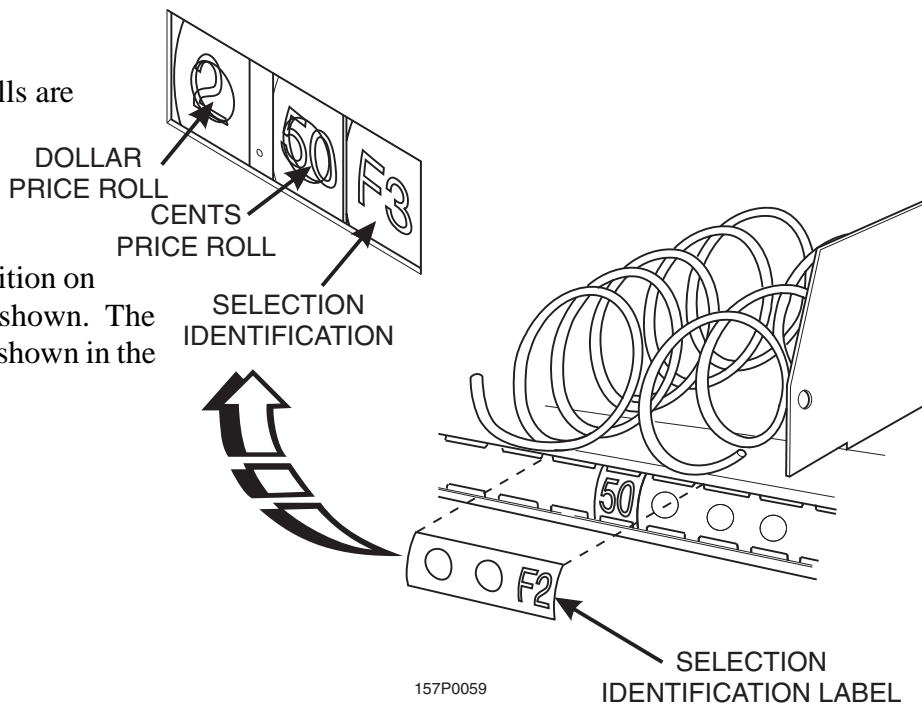
- There are three pairs of slots in the front of the can unit for each position. Install per this example:
  1. Insert the dollar roll in the left-most pair of slots as shown if the price is \$1.00 or more.
  2. Insert the cents roll in the center pair of slots as shown.
  3. The low-number end of the roll goes in the top slot and the high-number end of the roll goes in the bottom slot.



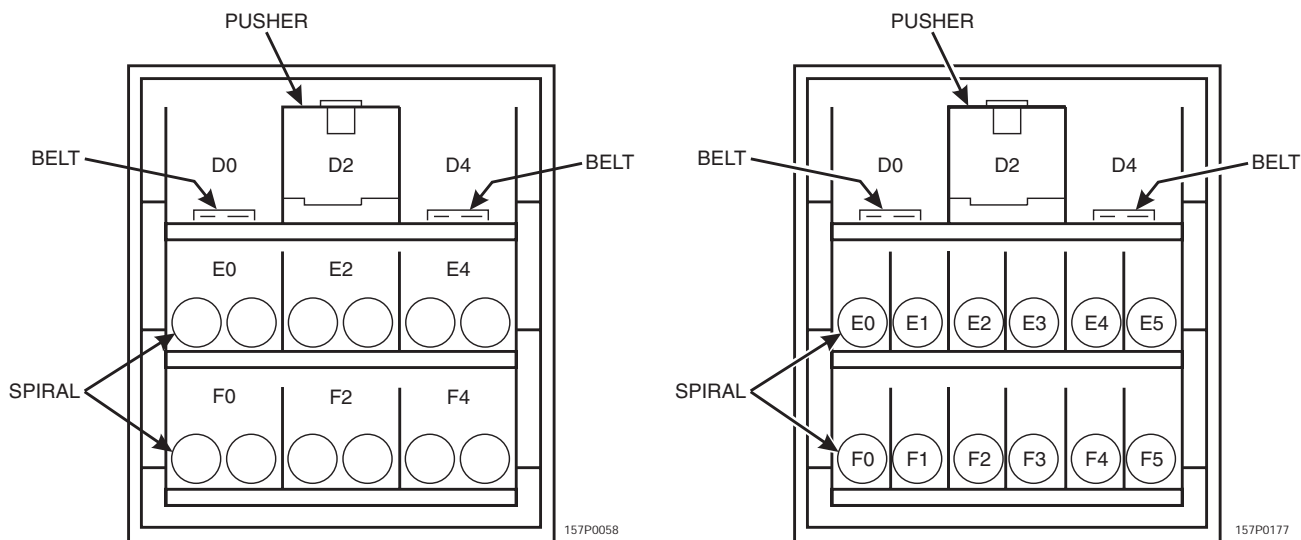
**2. Install Selection ID Labels for Food Module Items**

Selection ID numbers are printed on clear plastic labels. You will find these in the plastic bag that contained this manual. Use the "D", "E", and "F" selection labels for the food module.

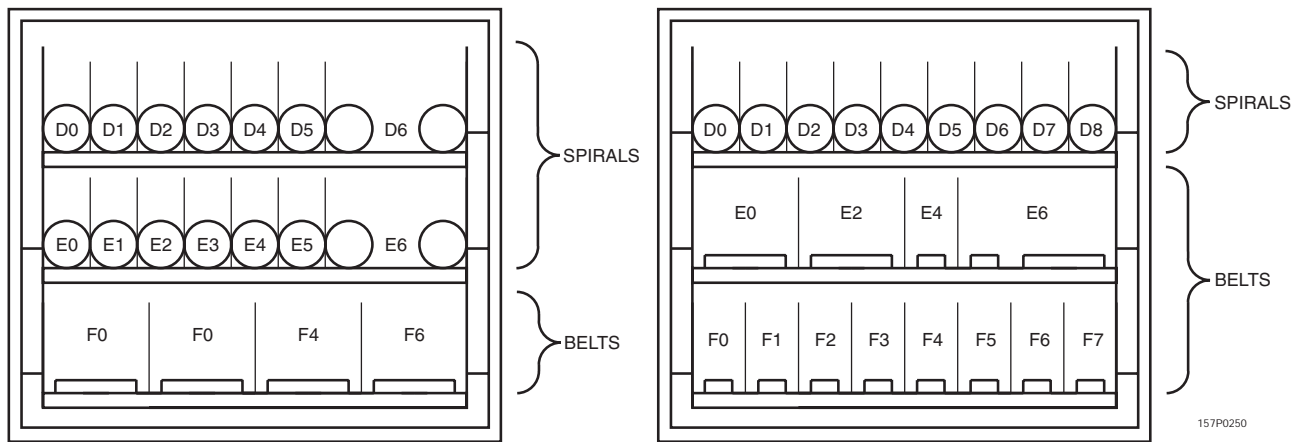
1. Make sure the price rolls are installed.
2. Press the two long edges of the selection ID label together.
3. Snap the label into position on the front of the tray as shown. The selection positions are shown in the figure below.



**Which Label Goes With Which Selection?**



**STANDARD FOOD MODULE**



EXPANDED FOOD MODULE

## 3. Adjust the Price Labels for Food Module Selections

You can set selection prices within the following range:

Minimum price .....\$.00

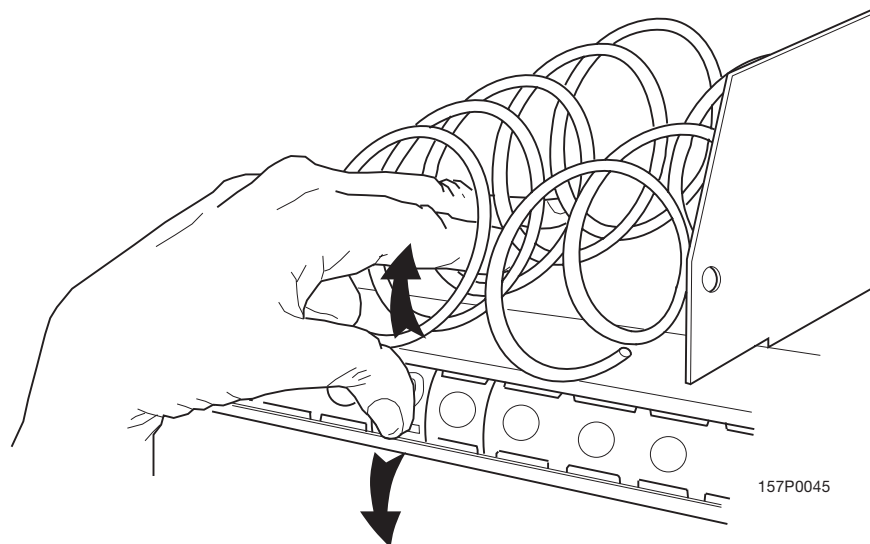
Maximum price....\$12.95

Increment .....\$.05

1. Using your thumb or the eraser end of a pencil, scroll downward to decrease the price.
2. Using your thumb or the eraser end of a pencil, scroll upward to increase the price.

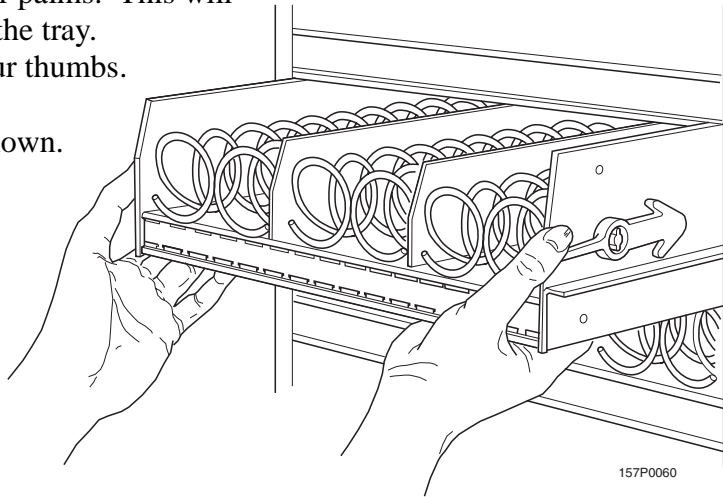
### WARNING

You will see the word **STOP** near either end of the roll.

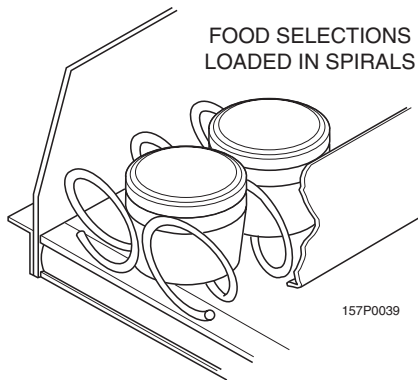


## 4. Load the Refrigerated or Frozen Food Module

1. Lift the loading door latch and open the loading door.
2. Place both hands on the food module tray as shown.
3. Lightly push back on the tray with your palms. This will release the tray latches on the sides of the tray.
4. Push down on the tray latches with your thumbs.
5. Pull the tray forward until it stops.
6. Load each of the spiral selections as shown.
7. Load the belt and pusher selections as shown.
8. See below for belt, pusher, and spiral assignments.
9. After all selections are loaded, push the tray in until it latches. Close and latch the door.

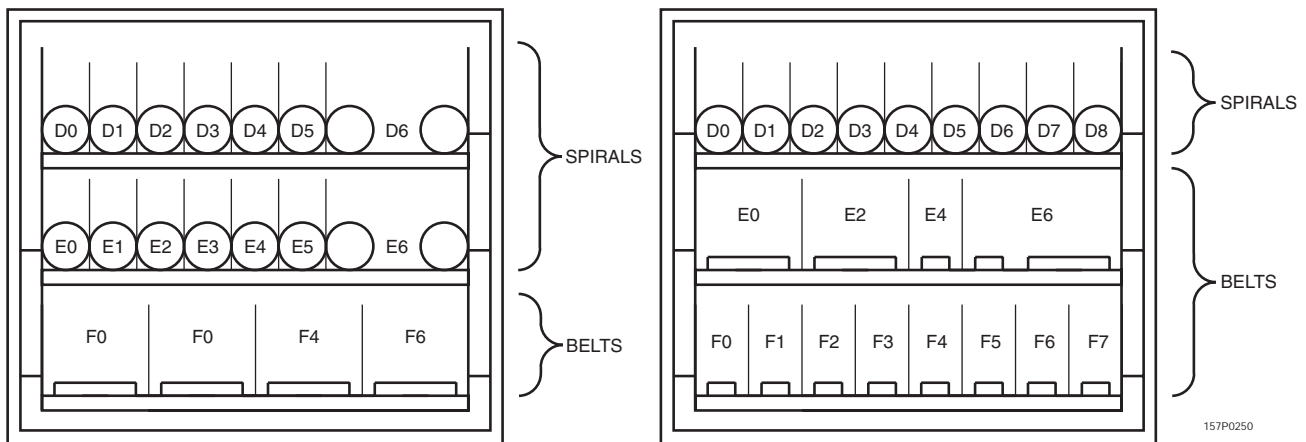


157P0060



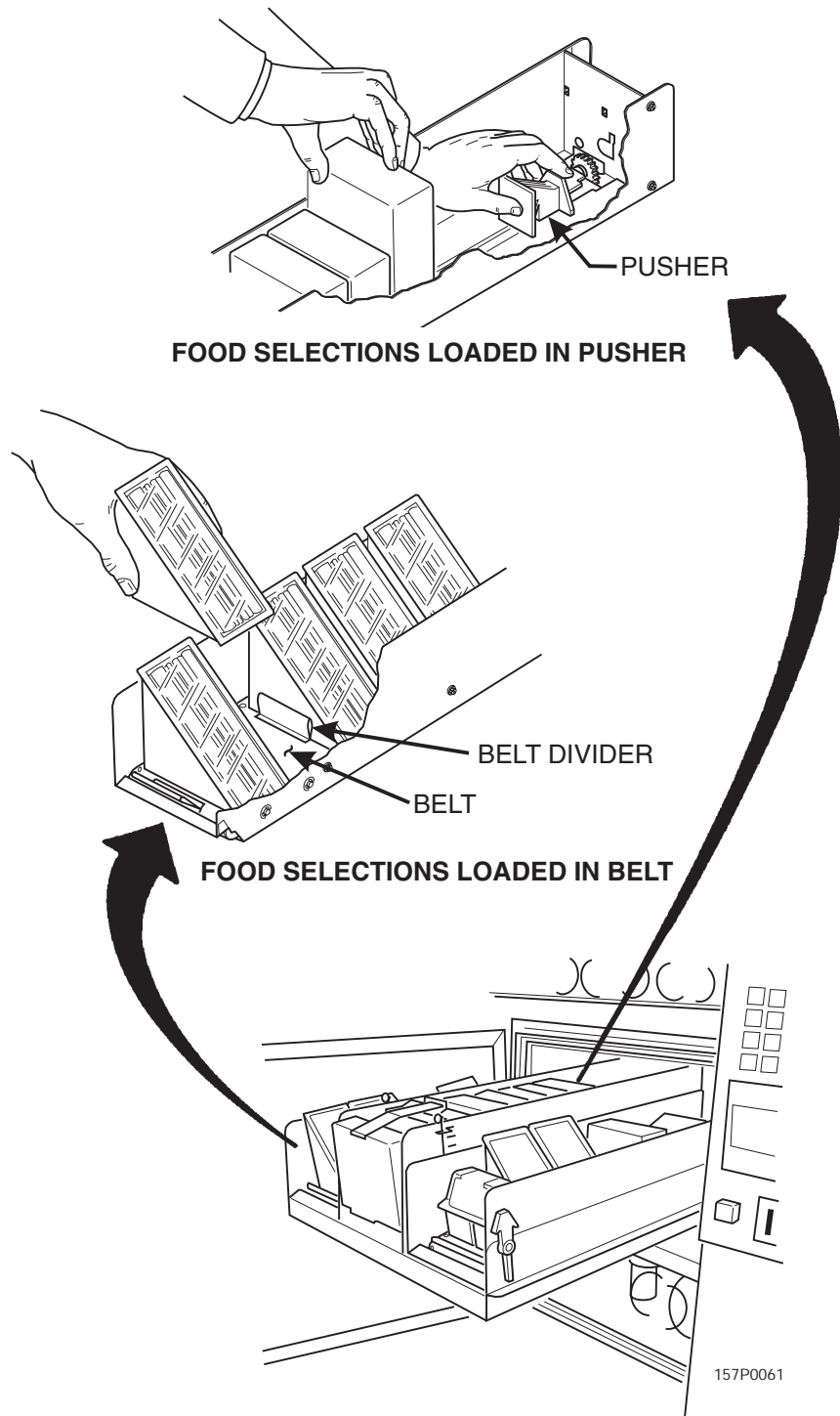
157P0039

**BELT, PUSHER, AND SPIRAL ASSIGNMENTS (EXPANDED MODULE SHOWN)**



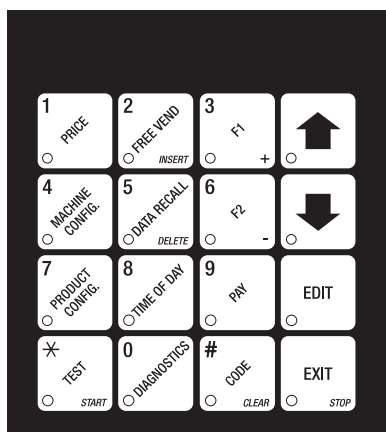
157P0250

**4. Load the Refrigerated or Frozen Food Module (continued)**



# Basic Programming



## The Service Keypad



The service keypad (shown on the left) is your major tool to program your merchandiser. If you just need to get your merchandiser up and running, you only have to set prices. That procedure is given below. For a thorough explanation of how to do all the custom programming features available to you, consult your *Programming Guide*. It will tell you how to:

- **Set up custom time-of-day vending periods;**
- **Look at sales and vending data;**
- **Test various machine functions;**
- **Customize trays for vending unique products;**
- **Enter custom display messages;**
- **And much more!**

## 1. Set Prices

1. Press . The display shows **\*\* 2.50 .25**. This display shows the maximum and minimum prices set in the machine.
2. Press the number of the selection to be priced. (Example: B1.) The display shows **B1 X.XX**. Enter a price using the number keys. The selection is now priced.
3. Press another letter key, or  to price another selection.

### WARNING

Refer to your Programming Guide for other pricing options.

## 2. View the Chiller or Can Unit Temperature

After your merchandiser has been running for a while, you may want to see if the chiller or can unit (optional) is getting cold. The following procedure can be performed whether the main door is open or closed:

1. Press **#** on the selection switch panel. The temperature is displayed.
2. If desired, you can change the temperature by following the procedure given in your Programming Guide.



## **NOW WHAT?**

There are still some things you need to do to complete setting up your merchandiser. Return to the same location in the Snack Center Setup Guide that sent you to this booklet.